

// Retail Price List & Product Info Guide

ALTA
WINDOW FASHIONS

TEXTON



ALUMINUM

BLINDS

Effective February 4, 2019

design simplified™

TABLE OF CONTENTS

Features And Options

- Features & Benefits 2
- Color Chart. 3

Pricing Information

- Price Chart and Option Charges. 4-10

Product Information

- Controls. 11
- Cord and Ladder Specifications. 11
- Mounting Requirements. 11
- Tilt Wand Lengths. 11
- Ladder Placement Chart 11
- Stack-Up Chart. 11
- Offset Stacking Chart 11
- Product Specifications. 12-13
- Cordless Lift & Lock™ Bottomrail Color Chart 14
- Product Components 15-20

Oversize Common Carrier Delivery

All orders with any quantity of shades or blinds or any continuous valance 96" or more in width are considered oversize. Therefore, a net shipping charge of \$40 per oversized unit will be assessed.

Oversized orders that require expedited shipping will be quoted and charged accordingly.

Please see General Information for additional freight and shipping charge information.

FEATURES & BENEFITS



Value/Basic 1" Blinds:

- Spring-tempered .006 gauge slats - offered in a popular variety of colors. (Value offered in 6 top-selling colors)
- Heavy-duty standard headrail with crashproof cordlock and cast metal slip-clutch tilter – ensures smooth, reliable operation.
- Comes standard with a two-slat valance.

Traditional 1" Blinds:

- Spring-tempered .006 and .008 gauge slats – offered in best-selling styles and colors.
- Heavy-duty standard headrail with crash-proof cordlock and cast metal slip-clutch tilter – ensures smooth, reliable operation.
- Two-slat channel valance – covers the headrail and brackets and adds a finished look.

Deluxe 1" Blinds:

- Spring-tempered .008 gauge slats - available in a full selection of decorative colors and styles.
- Heavy-duty headrail with built-in valance - adds contemporary appeal.
- LightsOut room-darkening feature – blocks out unwanted light and increases privacy.
- 18mm ladder spacing - provides maximum slat overlap to ensure a tight closure.
- Crash-proof cordlock and cast metal slip-clutch tilter - provide smooth, reliable operation.

Macro 2" Blinds:

- Spring-tempered .008 gauge slats offered in popular colors.
- Heavy-duty standard headrail with crashproof cordlock and cast metal slip-clutch tilter – ensures smooth, reliable operation.
- Channel valance – covers the headrail and brackets and adds a finished look.

All Aluminum Blinds:

- Spring-tempered slats – resist kinks and dents, they bounce back.
- Dust-resistant finish repels dust and makes cleaning easier.
- Lockseam bottomrail provides added durability and resists bowing.
- Cord Connector separates under pressure and easily snaps together again.
- Cordless Lift & Lock upgrade provides cord free lifting for enhanced child & pet safety.
- Limited Lifetime Warranty ensures your customers' satisfaction.



Aluminum Blinds with
Cordless Lift & Lock™ are
Best For Kids certified
when ordered with wand tilt

COLOR CHART

COLOR NAME	Deluxe Collection	Traditional Collection		Value Collection	Basic Collection	Macro Collection
	1" .008 GAUGE	1" .006 GAUGE	1" .008 GAUGE	1" .006 GAUGE	1" .006 GAUGE	2" .008 GAUGE
ALABASTER	D8002	T6002	T8002	V6002	B6002	M2002
ANTIQUE	D8973	T6973	T8973		B6973	M2973
ANTIQUE PERFORATED	D8973P		T8973P			
ASH	D8913					
BEIGE	D8186	T6186	T8186		B6186	M2186
BISCUIT	D8315					
BISQUE	D8269	T6269	T8269		B6269	M2269
BLACK	D8048	T6048	T8048		B6048	M2048
BLACK PERFORATED	D8048P		T8048P			
BRIGHT ALUMINUM	D8190	T6190	T8190		B6190	M2190
BRUSHED ALUMINUM	D8065	T6065	T8065	V6065	B6065	
BRUSHED ALUMINUM PERFORATED	D8065P		T8065P			
BRUSHED NICKEL TEXTURE	D8262		T8262			
BURGUNDY	D8188					
CANVAS	D8830	T6830	T8830		B6830	M2830
CHALK WHITE	D8885	T6885	T8885		B6885	M2885
CHAR BROWN	D8064	T6064	T8064	V6064	B6064	M2064
CHAR BROWN MATTE	D8254					
CLASSIC RED	D8916					
CLAY	D8180	T6180	T8180		B6180	
COBALT BLUE	D8280					
COBBLESTONE	D8318	T6318	T8318		B6318	
COUNTRY BEIGE	D8319					
EGGSHELL	D8173				B6173	M2173
EVENING SNOW	D8385					
FAWN	D8205	T6205	T8205		B6205	M2205
FOREST	D8413	T6413	T8413		B6413	
GRAPHITE	D8983					
GRAYSTONE	D8748	T6748	T8748		B6748	M2748
KAOLIN PEARL	D8711	T6711	T8711		B6711	
LIGHT CAFFE	D8914					
LINEN	D8270				B6270	M2270
MERCURY	D8276				B6276	
OPAL	D8001	T6001	T8001		B6001	
PARCHMENT	D8402					
PEARL	D8974	T6974	T8974		B6974	M2974
PEWTER GRAY	D8405				B6405	
PLASTER	D8127	T6127	T8127	V6127	B6127	
PUMICE	D8203					
PURE WHITE	D8125	T6125	T8125	V6125	B6125	M2125
QUARTZ	D8018	T6018	T8018		B6018	M2018
RIVER LOG	D8917					
SEASHELL	D8795	T6795	T8795		B6795	
SIERRA	D8820	T6820	T8820		B6820	
SNOW GLOSS	D8110	T6110	T8110	V6110	B6110	M2110
SNOW GLOSS PERFORATED	D8110P		T8110P			
SOFT TAUPE	D8361					
SPRIG	D8919					
TALC	D8981				B6981	
TUSK	D8268	T6268	T8268		B6268	
VANILLA	D8350	T6350	T8350		B6350	M2350

// Aluminum Blinds – Traditional Routes



ORDERING KEY	
Style	Code
1"	V6+Color #

• Value 1" (V6)

WIDTH TO:	12"	24"	28"	32"	36"	40"	44"	48"	52"	57"	62"	67"	72"	82"	92"	102"	112"	122"	132"	144"
HEIGHT TO:																				
42"	\$76	89	92	96	100	120	123	129	132	140	160	165	178	192	218	245	272	292	303	323
48"	78	89	94	98	105	123	132	136	140	147	167	172	187	200	227	258	283	307	316	336
54"	78	94	96	100	107	129	132	138	143	147	169	174	189	203	234	263	289	314	323	343
60"	80	94	98	103	112	132	138	140	145	152	172	178	194	214	238	267	298	320	334	358
66"	87	100	105	112	118	140	145	147	152	160	180	189	203	223	249	278	312	336	349	372
72"	89	103	107	114	120	143	147	152	156	165	187	192	209	227	254	287	318	347	360	385
78"	92	105	112	118	127	147	152	156	163	169	192	198	218	236	265	298	327	358	372	396
84"	92	107	114	118	129	149	154	160	167	174	196	203	223	243	269	303	336	367	383	407
90"	94	112	116	120	132	152	160	165	169	178	200	209	227	247	276	312	345	374	392	416
96"	94	112	118	123	136	154	163	167	172	180	203	216	234	252	283	318	349	385	398	425
102"	94	114	120	127	138	156	165	169	176	187	209	218	238	258	289	325	360	394	409	436
108"	96	116	120	129	140	163	167	174	178	189	216	223	243	263	296	332	367	400	418	445
114"	96	116	123	132	143	165	172	176	185	194	220	227	247	269	303	338	374	412	425	456
120"	98	118	127	136	145	167	174	178	187	198	225	234	252	274	309	345	385	418	436	467
126"	98	120	129	138	147	169	176	185	192	200	227	238	258	278	316	352	392	425	445	478

Finished Dimensions	Outside (OB) Mount				Inside (IB) Mount		
	Headrail Width	Blind Height	Slat Width	Standard Returns	Headrail Width	Blind Height	Slat Width
1" Aluminum Blind – Box Bracket	Ordered Width	Ordered Height	Ordered Width	No Returns	-1/2"	Ordered Height	-1/2"

NOTE: Measurements represent difference of total headrail or slat width (including endcaps) from ordered width.

OPTIONS: EXTRA CHARGE
• Cordless Lift & Lock..... add \$92 each

OPTIONS: NO EXTRA CHARGE
• 2 On 1 Headrailprice as separate blinds
• 3 On 1 Headrailprice as separate blinds (3 On 1 Headrail not available with Cordless Lift & Lock)
• Controls – either LR, RL or grouped (Standard only)
• Hold-Down Brackets (not available with Cordless Lift & Lock)
• Extension Brackets
• Spacer Blocks
• Tile Cut-Out – max. 5-1/2" each side (not available with Cordless Lift & Lock)
• Special Wand and Cord Length

SIZE SPECIFICATIONS - Value .006 Gauge		
	Standard Cordlock	Cordless Lift & Lock™
Slat width	1"	1"
Minimum width (NET)	8"	10-1/2"
Minimum height	6"	12"
Maximum width of a single blind	144"	120"
Maximum height	126"	84"
Maximum width with two on one headrail	144"	144"
Maximum width with three on one headrail	144"	n/a
Blind with tilter only – net width	8" to 10-3/8"	10-1/2" - 12-3/8" Center tilt only 12-1/2" or greater L or R tilt only
Blind must have split controls – net width	10-1/2" to 18"	
Blind with controls in any position – net width	18-1/8" or more	
Maximum square feet, single blind	133 sq. ft.	133 sq. ft.

// Aluminum Blinds – Traditional Routes



ORDERING KEY	
Style	Code
1"	B6+Color #

• Basic 1" (B6)

WIDTH TO:	12"	24"	28"	32"	36"	40"	44"	48"	52"	57"	62"	67"	72"	82"	92"	102"	112"	122"	132"	144"	
HEIGHT TO:																					
42"	\$78	94	100	105	114	132	138	143	147	154	176	180	196	216	240	272	303	325	338	360	
48"	80	98	103	107	116	140	147	152	156	165	187	192	209	227	254	287	318	343	356	380	
54"	83	100	105	114	120	143	149	154	160	167	189	196	216	234	263	296	327	352	367	392	
60"	87	103	112	116	127	147	152	160	165	174	196	203	223	243	269	307	338	365	383	412	
66"	92	112	118	123	136	154	163	167	174	185	205	218	236	254	285	320	356	385	405	432	
72"	94	114	120	129	140	160	167	174	178	189	216	223	243	263	296	332	365	400	418	445	
78"	96	118	127	136	145	167	174	178	187	198	223	234	249	272	307	343	383	416	434	465	
84"	96	120	129	138	147	169	176	185	192	203	229	240	258	283	316	356	394	429	447	480	
90"	98	123	132	140	152	174	180	189	198	209	238	247	265	289	325	365	405	440	460	494	
96"	100	127	136	145	154	176	187	194	200	216	243	252	272	298	334	372	414	449	474	507	
102"	100	129	138	147	160	180	192	198	209	223	247	260	278	307	343	387	425	465	487	520	
108"	103	132	143	149	163	187	196	203	216	227	254	267	287	316	352	396	438	478	503	536	
114"	103	136	145	154	167	192	198	209	220	234	263	272	296	323	363	407	447	492	514	554	
120"	105	138	147	156	169	194	203	216	225	240	267	278	303	332	372	416	460	505	529	567	
126"	105	140	149	160	174	198	209	220	229	245	274	287	312	340	383	425	474	516	540	583	

Finished Dimensions	Outside (OB) Mount				Inside (IB) Mount		
	Headrail Width	Blind Height	Slat Width	Standard Returns	Headrail Width	Blind Height	Slat Width
1" Aluminum Blind – Box Bracket	Ordered Width	Ordered Height	Ordered Width	No Returns	-1/2"	Ordered Height	-1/2"

NOTE: Measurements represent difference of total headrail or slat width (including endcaps) from ordered width.

OPTIONS: EXTRA CHARGE
• Cordless Lift & Lock add \$92 each

OPTIONS: NO EXTRA CHARGE
• 2 On 1 Headrailprice as separate blinds
• 3 On 1 Headrail.....price as separate blinds (3 On 1 Headrail not available with Cordless Lift & Lock)
• Controls – either LR, RL or grouped (Standard only)
• Hold-Down Brackets (not available with Cordless Lift & Lock)
• Extension Brackets
• Spacer Blocks
• Tile Cut-Out – max. 5-1/2" each side (not available with Cordless Lift & Lock)
• Special Wand and Cord Length

SIZE SPECIFICATIONS - Basic .006 Gauge		
	Standard Cordlock	Cordless Lift & Lock™
Slat width	1"	1"
Minimum width (NET)	8"	10-1/2"
Minimum height	6"	12"
Maximum width of a single blind	144"	120"
Maximum height	126"	84"
Maximum width with two on one headrail	144"	144"
Maximum width with three on one headrail	144"	n/a
Blind with tilter only – net width	8" to 10-3/8"	10-1/2" - 12-3/8" Center tilt only 12-1/2" or greater L or R tilt only
Blind must have split controls – net width	10-1/2" to 18"	
Blind with controls in any position – net width	18-1/8" or more	
Maximum square feet, single blind	133 sq. ft.	133 sq. ft.

ORDERING KEY	
Style	Code
1" .006 Gauge	T6+Color #

• Traditional 1" Aluminum Blinds with 2-Slat Channel Valance .006 Gauge (T6)

WIDTH TO:	23"	26"	29"	32"	36"	40"	44"	48"	52"	57"	62"	67"	72"	82"	92"	102"	112"	122"	132"	142"	152"	
HEIGHT TO:																						
42"	\$136	143	147	154	160	169	178	185	192	203	216	227	234	269	340	367	392	414	434	458	478	
48"	138	145	149	156	165	174	180	187	196	207	223	232	240	276	352	376	405	427	452	474	496	
54"	143	147	154	160	169	178	185	194	205	216	229	240	249	285	365	387	416	445	465	492	512	
60"	145	149	156	165	172	180	189	198	212	220	234	245	254	294	374	400	427	456	478	505	529	
66"	147	152	158	167	176	185	194	203	216	225	240	252	263	300	383	412	438	469	494	523	547	
72"	152	158	167	174	183	192	203	214	223	234	249	263	274	314	398	425	460	485	512	543	567	
78"	183	189	196	207	220	234	245	254	267	283	305	318	332	378	407	436	472	500	527	556	585	
84"	189	198	207	218	229	243	254	267	278	294	316	332	343	392	423	456	487	518	547	576	607	
90"	192	203	214	223	234	247	260	272	285	300	323	338	354	403	432	467	500	532	560	594	623	
96"	194	205	216	225	236	252	265	276	292	309	329	345	363	409	445	476	512	547	574	609	640	
102"	196	207	218	229	240	254	269	283	296	314	336	354	369	418	456	487	525	558	589	623	654	
108"	198	214	223	232	245	260	274	287	305	320	340	363	376	427	465	498	540	572	605	640	669	
114"	205	216	225	236	247	265	278	294	309	325	347	369	385	436	474	509	552	585	618	654	689	
120"	205	218	227	238	252	269	285	296	314	329	356	376	392	447	483	518	560	596	632	667	703	
126"	212	220	229	240	254	274	289	305	318	336	365	383	400	456	494	532	572	609	645	685	718	

Finished Dimensions	Outside (OB) Mount				Inside (IB) Mount		
	Headrail Width	Blind Height	Slat Width	Standard Returns	Headrail Width	Blind Height	Slat Width
1" Aluminum Blind – Box Bracket	Ordered Width	Ordered Height	Ordered Width	2-1/8"	-1/2"	Ordered Height	-1/2"

NOTE: Measurements represent difference of total headrail or slat width (including endcaps) from ordered width.

OPTIONS: EXTRA CHARGE
• Cordless Lift & Lock..... add \$92 each

OPTIONS: NO EXTRA CHARGE
• 2 On 1 Headrailprice as separate blinds
• 3 On 1 Headrail.....price as separate blinds (3 On 1 Headrail not available with Cordless Lift & Lock)
• Controls – either LR, RL or grouped (Standard only)
• Hold-Down Brackets (not available with Cordless Lift & Lock)
• Extension Brackets
• Spacer Blocks
• Tile Cut-Out – max. 5-1/2" each side (not available with Cordless Lift & Lock)
• Special Wand and Cord Length

SIZE SPECIFICATIONS - Traditional .006 Gauge		
	Standard Cordlock	Cordless Lift & Lock™
Slat width	1"	1"
Minimum width (NET)	8"	10-1/2"
Minimum height	6"	12"
Maximum width of a single blind	152"	120"
Maximum height	126"	84"
Maximum width with two on one headrail	152"	142"
Maximum width with three on one headrail	152"	n/a
Blind with tilter only – net width	8" to 10-3/8"	10-1/2" - 12-3/8" Center tilt only 12-1/2" or greater L or R tilt only
Blind must have split controls – net width	10-1/2" to 18"	
Blind with controls in any position – net width	18-1/8" or more	
Maximum square feet, single blind	133 sq. ft.	133 sq. ft.

ORDERING KEY	
Style	Code
1" .008 Gauge	T8+Color #

• Traditional 1" Aluminum Blinds with 2-Slat Channel Valance .008 Gauge (T8)

WIDTH TO:	23"	26"	29"	32"	36"	40"	44"	48"	52"	57"	62"	67"	72"	82"	92"	102"	112"	122"	132"	142"	152"	
HEIGHT TO:																						
42"	\$138	145	149	156	165	174	183	189	198	212	223	234	243	276	354	378	407	429	454	476	498	
48"	140	147	152	158	169	178	187	194	205	216	229	240	249	287	365	389	418	447	469	494	516	
54"	145	152	156	165	174	183	192	198	212	223	236	247	258	296	378	405	434	463	485	512	538	
60"	147	154	158	169	176	187	196	205	218	229	243	254	267	305	387	416	449	476	500	529	556	
66"	149	156	165	172	180	192	203	212	223	234	249	263	274	314	400	427	463	492	516	547	572	
72"	156	165	172	178	187	198	212	220	232	243	260	274	285	325	416	447	480	509	540	567	596	
78"	187	194	205	216	227	240	252	265	278	294	316	332	345	394	425	460	494	525	554	587	616	
84"	194	205	216	225	236	252	265	276	292	309	329	345	363	409	445	476	512	547	574	609	640	
90"	196	207	218	229	240	258	269	283	296	314	336	354	372	420	456	487	527	560	592	625	656	
96"	203	214	223	232	245	263	274	289	305	320	343	363	378	429	467	500	543	574	609	643	674	
102"	205	216	225	236	249	267	283	294	312	327	352	372	387	438	476	514	554	589	623	660	696	
108"	207	218	229	240	254	272	287	300	316	334	358	378	398	452	487	527	567	605	640	678	712	
114"	212	223	232	243	258	276	292	307	323	340	369	387	405	460	500	540	580	620	654	696	732	
120"	214	225	236	247	263	283	296	312	327	345	374	394	412	469	509	549	594	634	667	709	745	
126"	216	227	238	249	267	287	300	318	334	354	380	403	420	478	518	563	607	647	687	727	765	

Finished Dimensions	Outside (OB) Mount				Inside (IB) Mount		
	Headrail Width	Blind Height	Slat Width	Standard Returns	Headrail Width	Blind Height	Slat Width
1" Aluminum Blind – Box Bracket	Ordered Width	Ordered Height	Ordered Width	2-1/8"	-1/2"	Ordered Height	-1/2"

NOTE: Measurements represent difference of total headrail or slat width (including endcaps) from ordered width.

OPTIONS: EXTRA CHARGE
• Cordless Lift & Lock..... add \$92 each

OPTIONS: NO EXTRA CHARGE
• 2 On 1 Headrailprice as separate blinds
• 3 On 1 Headrail.....price as separate blinds (3 On 1 Headrail not available with Cordless Lift & Lock)
• Controls – either LR, RL or grouped (Standard only)
• Hold-Down Brackets (not available with Cordless Lift & Lock)
• Extension Brackets
• Spacer Blocks
• Tile Cut-Out – max. 5-1/2" each side (not available with Cordless Lift & Lock)
• Special Wand and Cord Length

SIZE SPECIFICATIONS - Traditional .008 Gauge		
	Standard Cordlock	Cordless Lift & Lock™
Slat width	1"	1"
Minimum width (NET)	8"	10-1/2"
Minimum height	6"	12"
Maximum width of a single blind	152"	120"
Maximum height	126"	84"
Maximum width with two on one headrail	152"	142"
Maximum width with three on one headrail	152"	n/a
Blind with tilter only – net width	8" to 10-3/8"	10-1/2" - 12-3/8" Center tilt only 12-1/2" or greater L or R tilt only
Blind must have split controls – net width	10-1/2" to 18"	
Blind with controls in any position – net width	18-1/8" or more	
Maximum square feet, single blind	133 sq. ft.	133 sq. ft.

// Aluminum Blinds – Traditional Routes



ORDERING KEY	
Style	Code
1"	D8+Color #

• Deluxe 1" with Traditional Routes (D8)

WIDTH TO:	23"	26"	29"	32"	36"	40"	44"	48"	52"	57"	62"	67"	72"	82"	92"	102"	112"	122"	132"	142"	
HEIGHT TO:																					
42"	\$145	149	154	158	167	174	180	187	192	203	220	227	236	269	347	372	398	420	438	463	
48"	147	152	156	165	172	178	185	192	198	207	227	236	243	278	365	385	414	438	460	480	
54"	152	156	160	169	176	185	192	198	207	218	234	245	252	289	378	403	432	460	480	505	
60"	154	158	167	174	180	189	196	205	214	225	243	252	263	300	392	418	452	478	500	527	
66"	156	165	169	176	183	194	203	214	220	232	249	263	272	312	407	432	467	496	527	554	
72"	160	169	174	180	189	198	212	220	227	238	258	272	283	320	420	452	483	523	549	576	
78"	198	212	218	227	238	249	263	274	285	298	325	340	354	405	434	465	507	543	567	596	
84"	205	214	223	232	240	258	269	278	292	307	332	347	365	414	447	476	523	556	585	616	
90"	214	223	232	240	252	267	283	294	307	320	347	367	380	432	467	503	545	578	609	643	
96"	218	227	236	245	258	274	289	300	314	329	358	376	389	447	483	518	560	598	627	663	
102"	220	229	238	249	265	278	294	309	320	336	367	385	403	458	498	534	576	616	647	685	
108"	225	234	243	254	269	287	300	316	327	345	376	394	412	474	512	549	594	636	667	705	
114"	227	236	245	260	274	294	312	325	338	363	389	414	429	496	540	576	625	669	705	747	
120"	229	240	249	265	283	298	318	332	345	369	400	423	438	509	552	594	643	689	729	772	
126"	234	243	258	269	287	309	325	338	354	378	412	432	460	523	567	612	660	707	747	792	

Finished Dimensions	Outside (OB) Mount			Inside (IB) Mount		
	Headrail Width	Blind Height	Slat Width	Headrail Width	Blind Height	Slat Width
1" Aluminum Blind – Hidden Bracket	+1/4"	Ordered Height	Ordered Width	-1/4"	Ordered Height	-1/2"

NOTE: Measurements represent difference of total headrail or slat width (including endcaps) from ordered width.

OPTIONS: EXTRA CHARGE
• Cordless Lift & Lock add \$92 each

OPTIONS: NO EXTRA CHARGE
• 2 On 1 Headrailprice as separate blinds
• 3 On 1 Headrail.....price as separate blinds (3 On 1 Headrail not available with Cordless Lift & Lock)
• Controls – either LR, RL or grouped (Standard only)
• Hold-Down Brackets (not available with Cordless Lift & Lock)
• Extension Brackets
• Spacer Blocks
• Tile Cut-Out – max. 5-1/2" each side (not available with Cordless Lift & Lock)
• Special Wand and Cord Length

SIZE SPECIFICATIONS - Deluxe .008 Gauge, Traditional Routes		
	Standard Cordlock	Cordless Lift & Lock™
Slat width	1"	1"
Minimum width (NET)	8"	10-1/2"
Minimum height	6"	12"
Maximum width of a single blind	142"	120"
Maximum height	126"	84"
Maximum width with two on one headrail	142"	142"
Maximum width with three on one headrail	142"	n/a
Blind with tilter only – net width	8" to 10-3/8"	10-1/2" - 12-3/8" Center tilt only 12-1/2" or greater L or R tilt only
Blind must have split controls – net width	10-1/2" to 18"	
Blind with controls in any position – net width	18-1/8" or more	
Maximum square feet, single blind	124 sq. ft.	133 sq. ft.

ORDERING KEY	
Style	Code
1"	D8+Color #

• Deluxe 1" with LightsOut (D8)

WIDTH TO:	23"	26"	29"	32"	36"	40"	44"	48"	52"	57"	62"	67"	72"	82"	92"	102"	112"	122"	132"	142"	
HEIGHT TO:																					
42"	\$147	152	156	165	172	178	187	192	198	212	227	236	245	283	367	389	416	445	465	485	
48"	152	156	160	169	176	185	192	198	207	220	236	247	254	294	383	407	436	467	487	512	
54"	156	160	167	174	183	192	198	212	218	227	245	258	267	307	400	425	460	487	512	540	
60"	158	167	172	178	187	196	207	218	225	236	254	267	278	318	416	447	478	509	538	565	
66"	160	169	176	183	192	205	216	223	232	243	265	276	289	329	432	463	498	532	565	594	
72"	167	174	180	189	198	214	223	232	240	252	274	289	300	343	452	483	523	563	592	623	
78"	207	218	227	238	249	265	278	292	305	320	345	365	380	432	467	500	547	580	614	647	
84"	214	223	232	243	254	272	287	298	314	329	358	376	392	449	483	518	565	607	638	672	
90"	223	234	243	254	267	285	300	314	327	343	376	394	412	467	505	547	592	634	665	703	
96"	227	236	247	260	274	292	309	320	334	354	385	405	423	480	525	565	612	652	689	727	
102"	232	240	252	265	283	298	316	329	343	367	398	418	434	496	545	580	632	674	712	752	
108"	234	245	258	272	287	307	323	338	354	376	407	427	449	514	558	598	649	696	734	778	
114"	238	249	265	278	294	318	334	352	369	389	425	452	472	545	589	636	692	738	783	829	
120"	240	252	269	285	300	323	340	363	378	400	434	463	483	560	607	654	707	763	803	854	
126"	245	263	274	289	312	332	347	372	387	414	449	474	503	574	625	672	732	785	832	883	

Finished Dimensions	Outside (OB) Mount			Inside (IB) Mount		
	Headrail Width	Blind Height	Slat Width	Headrail Width	Blind Height	Slat Width
1" Aluminum Blind – Hidden Bracket	+1/4"	Ordered Height	Ordered Width	-1/4"	Ordered Height	-1/2"

NOTE: Measurements represent difference of total headrail or slat width (including endcaps) from ordered width.

OPTIONS: NO EXTRA CHARGE
<ul style="list-style-type: none"> • 2 On 1 Headrailprice as separate blinds • 3 On 1 Headrail.....price as separate blinds • Controls – either LR, RL or grouped (Standard only) • Hold-Down Brackets • Extension Brackets • Spacer Blocks • Tile Cut-Out – max. 5-1/2" each side • Special Wand and Cord Length

SIZE SPECIFICATIONS - Deluxe .008 Gauge, Routeless	
	Standard Cordlock
Slat width	1"
Minimum width (NET)	8"
Minimum height	6"
Maximum width of a single blind	142"
Maximum height	126"
Maximum width with two on one headrail	142"
Maximum width with three on one headrail	142"
Blind with tilter only – net width	8" to 10-3/8"
Blind must have split controls – net width	10-1/2" to 18"
Blind with controls in any position – net width	18-1/8" or more
Maximum square feet, single blind	124 sq. ft.

ORDERING KEY	
Style	Code
2"	M2+Color #

• Macro 2" with Channel Valance (M2)

WIDTH TO:	12"	24"	28"	32"	36"	40"	44"	48"	52"	57"	62"	67"	72"	82"	92"	102"	112"	122"	132"	144"
HEIGHT TO:																				
42"	\$143	169	176	185	196	205	216	229	236	247	260	269	292	403	427	480	507	563	589	607
48"	145	172	180	189	203	214	220	236	245	258	267	278	305	416	445	498	527	585	612	632
54"	149	176	185	194	212	220	229	243	252	267	278	292	314	432	463	518	549	609	638	658
60"	149	180	189	198	216	225	234	249	260	274	287	298	323	447	474	532	563	625	654	678
66"	156	187	196	212	225	234	243	263	272	287	298	314	336	465	496	556	589	652	685	709
72"	158	189	203	214	229	238	249	267	276	294	307	320	343	476	509	569	605	667	703	729
78"	203	245	260	272	292	307	320	340	356	376	392	412	445	498	534	596	632	698	732	758
84"	207	249	265	278	298	314	327	352	367	385	405	423	456	512	549	614	649	718	754	787
90"	207	252	269	285	305	318	334	358	374	394	414	429	465	525	563	627	665	736	776	805
96"	216	265	278	296	318	334	352	378	392	416	436	460	494	560	598	669	712	787	829	867
102"	218	269	287	300	325	340	363	385	403	427	449	472	505	574	618	692	734	807	854	892
108"	220	274	292	312	332	347	369	394	414	436	460	480	518	587	634	705	749	829	876	914
114"	225	278	296	316	338	358	376	403	423	449	472	494	532	603	647	725	774	852	896	940
120"	229	285	305	323	345	367	385	416	432	460	483	505	547	618	665	740	789	874	920	965
126"	232	289	312	329	354	376	392	423	445	472	494	518	560	634	685	763	812	894	945	989

Finished Dimensions	Outside (OB) Mount				Inside (IB) Mount		
	Headrail Width	Blind Height	Slat Width	Standard Returns	Headrail Width	Blind Height	Slat Width
2" Aluminum Blind – Box Bracket	-1/4"	Ordered Height	Ordered Width	2-7/8"	-3/4"	Ordered Height	-1/2"

NOTE: Measurements represent difference of total headrail or slat width (including endcaps) from ordered width.

OPTIONS: EXTRA CHARGE
• Cordless Lift & Lock add \$92 each

OPTIONS: NO EXTRA CHARGE
• 2 On 1 Headrailprice as separate blinds
• 3 On 1 Headrail.....price as separate blinds (3 On 1 Headrail not available with Cordless Lift & Lock)
• Controls – either LR, RL or grouped (Standard only)
• Hold-Down Brackets
• Extension Brackets
• Spacer Blocks
• Tile Cut-Out – max. 5-1/2" each side (not available with Cordless Lift & Lock)
• Special Wand and Cord Length

SIZE SPECIFICATIONS - 2" Macro, Traditional Routes		
	Standard Cordlock	Cordless Lift & Lock™
Slat width	2"	2"
Minimum width (NET)	8"	10-1/2"
Minimum height	12"	12"
Maximum width of a single blind	144"	144"
Maximum height	126"	84"
Maximum width with two on one headrail	192"	144"
Maximum width with three on one headrail	192"	n/a
Blind with tilter only – net width	8" to 10-3/8"	10-1/2" - 12-3/8" Center tilt only 12-1/2" or greater L or R tilt only
Blind must have split controls – net width	10-1/2" to 18"	
Blind with controls in any position – net width	18-1/8" or more	
Maximum square feet, single blind	144 sq. ft.	133 sq. ft.

SIZE SPECIFICATIONS - 2" Macro, Routeless	
	Standard Cordlock
Slat width	2"
Minimum width (NET)	8"
Minimum height	12"
Maximum width of a single blind	144"
Maximum height	126"
Maximum width with two on one headrail	192"
Maximum width with three on one headrail	192"
Blind with tilter only – net width	8" to 10-3/8"
Blind must have split controls – net width	10-1/2" to 18"
Blind with controls in any position – net width	18-1/8" or more
Maximum square feet, single blind	144 sq. ft.

FEATURES AND OPTIONS

CONTROLS

Standard Cordlock	Width (NET)
Tilt only (does not lift)	8" to 10-3/8"
Split (Lift Cord L, Wand R)	10-1/2" to 18"
Any position (LR, RL, Grouped)	18-1/8" or more

Lift & Lock	Width (NET)
Center tilt only	10-1/2" to 12-3/8"
Left or Right tilt (Center tilt n/a)	12-1/2" or more

Note: Lift function is controlled by the bottomrail for Cordless Lift & Lock

CORD AND LADDER

- Color coordinated with slats
- Cord length is 40% of the height of the blind unless otherwise specified.
- Lift cord features a color-coordinated cord connector that separates under pressure. It easily snaps together again.

TILT WAND

Clear wand. Wand length is standard, see chart below, or select one of the other lengths available and specify that length when ordering.*

Tilt Wand

All 1" Blinds

Wand Length	Blind Height
12"	12" to 22"
20"	22-1/8" to 37"
30"	37-1/8" to 52"
40"	52-1/8" to 67"
50"	67-1/8" to 82"
60"	82-1/8" to 144"

*Optional Lengths: 70", 78", 90", or 120"

2" Blinds

Wand Length**	Blind Height
12"	12" to 24"
20"	24-1/8" to 36"
30"	36-1/8" to 48"
40"	48-1/8" to 60"
50"	60-1/8" to 75"
60"	75-1/8" to 90"
70"	90-1/8" to 105"
78"	105-1/8" to 117"
90"	117-1/8" to 126"

*Optional Length: 120"

** Cord tilt cord length will be 40% of the blind height unless otherwise specified

MOUNTING REQUIREMENTS

	Inside (IB) Mount		Outside (OB) Mount
	Minimum Required Depth	Minimum Required Depth Flush Mount	Minimum Required Mounting Surface
Value/Basic 1"	7/8"	1-1/4"	5/8"
Traditional 1"	1-3/8"	2-1/4"	1-3/8"
Deluxe 1"	7/8"	1-3/4"	5/8"
Macro 2"	1-1/8"	3-3/8"	1-3/4"

Center Support Brackets – All Blinds

Width	# of Brackets
48" - 84"	1
84-1/8" - 120"	2
Over 120"	3

LADDER PLACEMENT

The following charts show the number of ladders based on blind width.

1" Blinds

Finished Width	# of Ladders
Up to 36"	2
36-1/8" to 60"	3
60-1/8" to 84"	4
84-1/8" to 108"	5
108-1/8" to 132"	6
132-1/8" to 152"	7

2" Blinds

Finished Width	# of Ladders
Up to 46-1/2"	2
46-5/8" to 80-1/2"	3
80-5/8" to 114-1/2"	4
114-5/8" to 144"	5

STACKING

Add the selected style to the Blind Stack

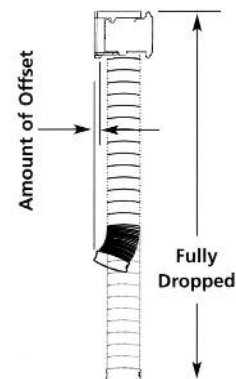
Headrail/Bottomrail	1" Blinds
Value/Basic	1-1/2"
Traditional	1-1/2"
Deluxe	2"
+	+
Each 12" of Blind Height	3/8"

Blind Height	2" Blinds (approx)
36"	4-1/2"
48"	4-3/4"
60"	5"
72"	5-1/4"
84"	5-1/2"
96"	5-3/4"
108"	6"
120"	6-1/4"
126"	6-1/2"

For Lift & Lock add an additional 3/4" to the total.

DELUXE 1" BLIND OFFSET STACKING

Length of Offset	Amount of Offset
12"	1/4"
24"	7/16"
36"	9/16"
48"	11/16"
60"	3/4"
72"	13/16"
84"	13/16"
96"	7/8"
108"	7/8"
120"	7/8"



PRODUCT SPECIFICATIONS

	Value	Basic	Traditional	
FEATURES	1" .006 GAUGE	1" .006 GAUGE	1" .006 GAUGE	1" .008 GAUGE
# of Colors	6	31	26	31
Slat Gauge	0.006	0.006	0.006	0.008
Dust-Resistant Finish	Yes	Yes	Yes	Yes
Headrail Size	1" X 1"	1" X 1"	1" X 1-1/2"	1" X 1-1/2"
Headrail Gauge	0.024	0.024	0.024	0.024
Bottomrail - Standard	Lockseam	Lockseam	Lockseam	Lockseam
Bottomrail - Lift & Lock	The cordless Lift & Lock™ operating system comes with a coordinating aluminum bottomrail. Please refer to the Lift & Lock Bottomrail Color listing for the coordinating rail color.			
Lightsout Feature	N/A	N/A	N/A	N/A
Bracket Style	Box	Box	Box	Box
Cord Size	1.4 mm	1.4 mm	1.4 mm	1.4 mm
Ladder Spacing	23 mm	22 mm	22 mm	22 mm
Wand	Clear, Standard	Clear, Standard	Clear, Standard	Clear, Standard
Cord Tilter	N/A	N/A	N/A	N/A
Valance Style	2 Slats in Clips	2 Slats in Clips	2 Slat Channel Valance	2 Slat Channel Valance
Headrail End Stiffener	Yes	Yes	Yes	Yes
Cord Connector	Colored	Colored	Colored	Colored
OPTIONS				
Cordless Lift & Lock™	Yes	Yes	Yes	Yes
2 or 3 on 1 Headrail* - 3 on 1 headrail not available with Cordless Lift & Lock	Yes	Yes	Yes	Yes
Control Positions (LR, RL, Grouped)	Yes	Yes	Yes	Yes
Extension Brackets	Yes	Yes	Yes	Yes
Hold-down Brackets - not available with 1" Cordless Lift & Lock	Yes	Yes	Yes	Yes
Spacer Blocks	Yes	Yes	Yes	Yes
Tile Cut-out - not available with Cordless Lift & Lock	Yes	Yes	Yes	Yes
SIZE SPECIFICATIONS				
Slat width	1"	1"	1"	1"
Standard Lift Cords				
Minimum width (NET)	8"	8"	8"	8"
Minimum height	6"	6"	6"	6"
Maximum width of a single blind	144"	144"	152"	152"
Maximum height	126"	126"	126"	126"
Maximum width with 2 or 3 on 1 headrail	144"	144"	152"	152"
Maximum width end mount	48"	48"	48"	48"
Blind with tilter only – net width	8" to 10-3/8"	8" to 10-3/8"	8" to 10-3/8"	8" to 10-3/8"
Blind must have split controls – net width	10-1/2" to 18"	10-1/2" to 18"	10-1/2" to 18"	10-1/2" to 18"
Blind can have controls in any position – net width	18-1/8" to 144"	18-1/8" to 144"	18-1/8" to 152"	18-1/8" to 152"
Maximum square feet, single blind	133 sq. ft.	133 sq. ft.	133 sq. ft.	133 sq. ft.
Cordless Lift & Lock™				
Minimum width (NET)	10-1/2"	10-1/2"	10-1/2"	10-1/2"
Maximum width of a single blind	120"	120"	120"	120"
Minimum height	12"	12"	12"	12"
Maximum height	84"	84"	84"	84"
Maximum width Cordless Lift & Lock w/ 2 on 1	144"	144"	142"	142"
Maximum width end mount	N/A	N/A	N/A	N/A
Center tilt only – NET width	10-1/2" to 12-3/8"	10-1/2" to 12-3/8"	10-1/2" to 12-3/8"	10-1/2" to 12-3/8"
Left or Right tilt only - NET width	12-1/2" or more	12-1/2" or more	12-1/2" or more	12-1/2" or more
Maximum square feet, single blind	133 sq. ft.	133 sq. ft.	133 sq. ft.	133 sq. ft.

* 2 or 3 Blinds On 1 Headrail – a crating surcharge may be assessed, see General Information section for shipping related surcharges

PRODUCT SPECIFICATIONS

FEATURES	Deluxe	Macro
	1" .008 GAUGE	2" .008 GAUGE
# of Colors	51	18
Slat Gauge	0.008	0.008
Dust Resistant Finish	Yes	Yes
Headrail Size	1-1/4" X 1-1/2"	2-1/4" X 1-1/2"
Headrail Gauge	0.024	0.024
Bottomrail - Standard	Lockseam	Lockseam
Bottomrail - Lift & Lock	The cordless Lift & Lock™ operating system comes with a coordinating aluminum bottomrail. Please refer to the Lift & Lock Bottomrail Color listing for the coordinating rail color.	
Lightsout Feature - not available with Cordless Lift & Lock	Available	Available
Bracket Style	Hidden	Box
Cord Size	1.4 mm	1.4 mm
Ladder Spacing	22 mm	42 mm
Wand Tilt	Clear, Standard	Clear, Standard
Valance Style	Built-in	Channel Valance
Headrail End Stiffener	n/a	Yes
Cord Connector	Colored	Colored
OPTIONS		
Cordless Lift & Lock™	Yes	Yes
2 or 3 on 1 Headrail* - 3 on 1 headrail not available with Cordless Lift & Lock	Yes	Yes
Control Positions (LR, RL, Grouped)	Yes	Yes
Cord Tilt	N/A	Yes
Extension Brackets	Yes	Yes
Hold-down Brackets - not available with 1" Cordless Lift & Lock	Yes	Yes
Spacer Blocks	Yes	Yes
Tile Cut-out - not available with Cordless Lift & Lock	Yes	Yes
SIZE SPECIFICATIONS		
Slat width	1"	2"
Standard Lift Cords		
Minimum width (NET)	8"	8"
Minimum height	6"	12"
Maximum width of a single blind	142"	144"
Maximum height	126"	126"
Maximum width with 2 or 3 on 1 headrail	142"	192"
Blind with tilter only – net width	8" to 10-3/8"	8" to 10-3/8"
Blind must have split controls – net width	10-1/2" to 18"	10-1/2" to 18"
Blind can have controls in any position – net width	18-1/8" to 142"	18-1/8" to 144"
Maximum square feet, single blind	124 sq. ft.	144 sq. ft.
Cordless Lift & Lock™		
Minimum width (NET)	10-1/2"	10-1/2"
Minimum height	12"	12"
Maximum width of a single blind	120"	144"
Maximum height	84"	84"
Maximum width 2 on 1 headrail	142"	144"
Maximum square feet, single blind	124 sq. ft.	144 sq. ft.
Center tilt only – NET width	10-1/2" to 12-3/8"	10-1/2" to 12-3/8"
Left or Right tilt only - NET width	12-1/2" or more	12-1/2" or more
Maximum square feet, single blind	124 sq. ft.	144 sq. ft.

* 2 or 3 Blinds On 1 Headrail – a crating surcharge may be assessed, see General Information section for shipping related surcharges

CORDLESS LIFT & LOCK™ BOTTOMRAIL COLOR CHART



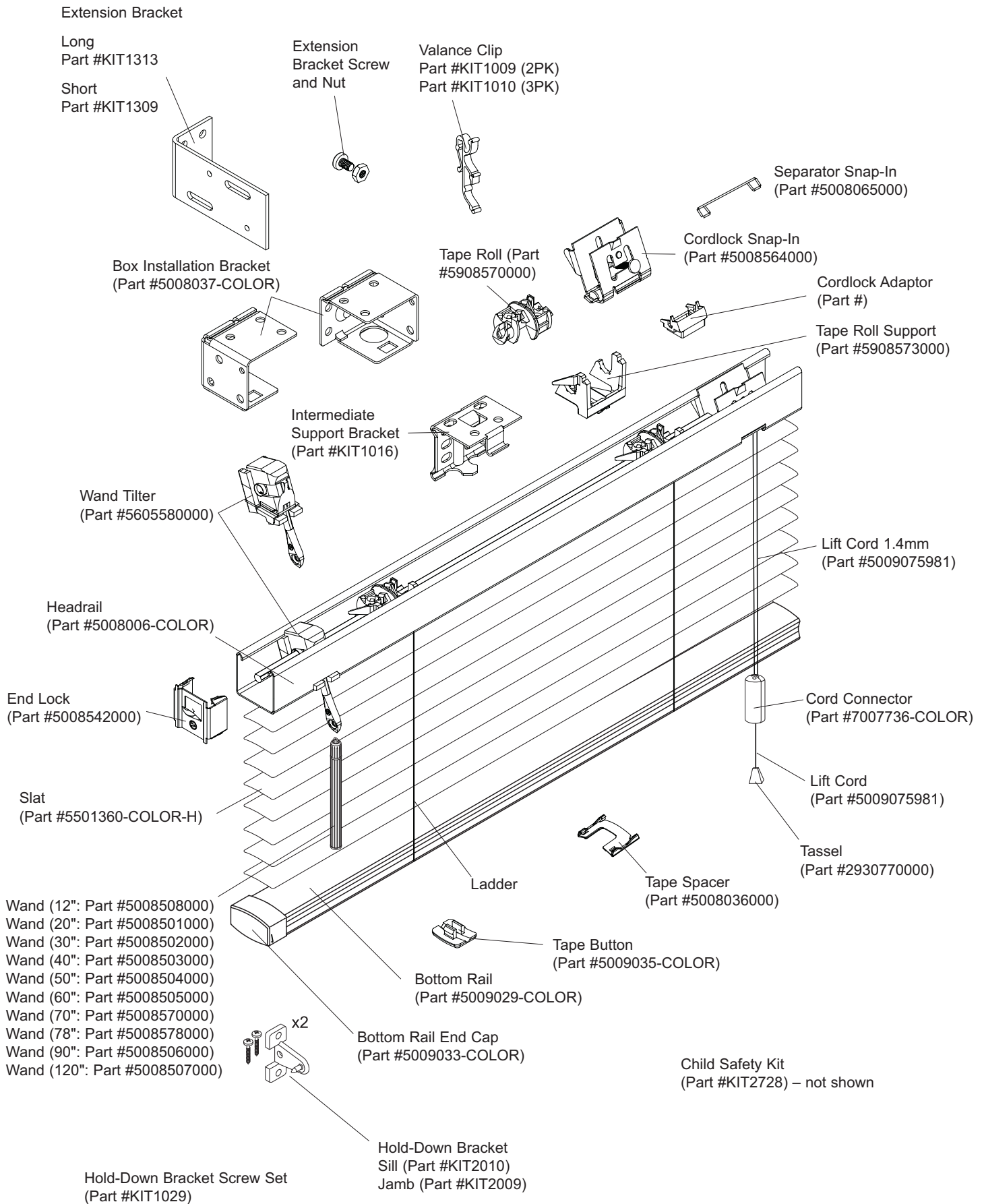
The cordless Lift & Lock™ operating system comes with a coordinating aluminum bottomrail in the color listed below. There are **more slat colors than available rail colors**, please review the rail colors listed below when ordering. Rail colors listed can be found in the Aluminum sample deck.

NOTE: Due to color availability in each size rail, there are cases where the 1" and 2" slats in the same color will have different color bottomrails.

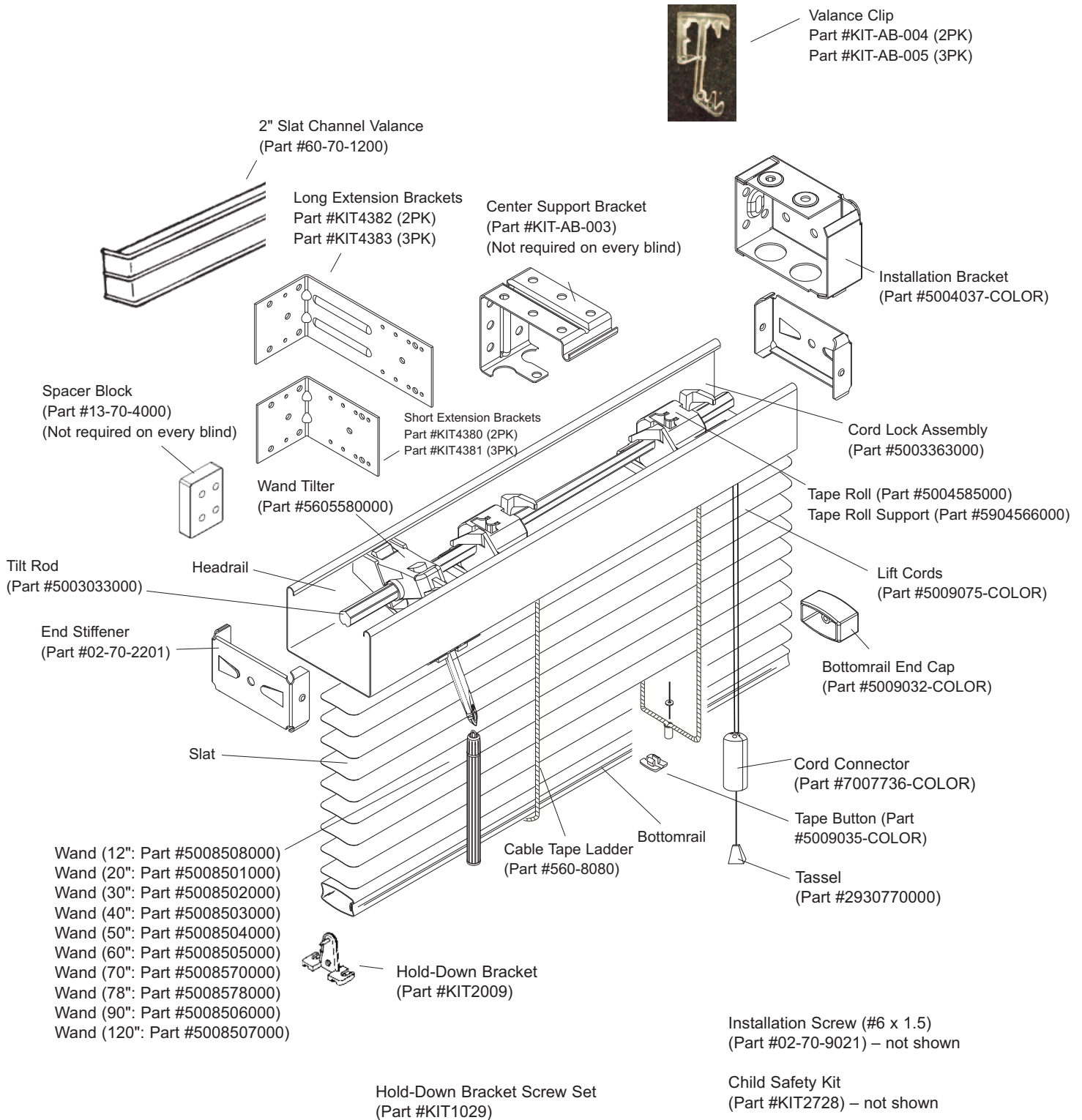
COLOR NAME						All 1" Styles		All 2" Blinds		
	Deluxe Collection	Traditional Collection		Value Collection	Basic Collection	Cordless Lift & Lock Bottomrail		Macro Collection	Cordless Lift & Lock Bottomrail	
	1" .008 GAUGE	1" .006 GAUGE	1" .008 GAUGE	1" .006 GAUGE	1" .006 GAUGE	Color	Color #	2" .008 GAUGE	Color	Color #
Alabaster	D8002	T6002	T8002	V6002	B6002	Alabaster	002	M2002	Alabaster	002
Antique	D8973	T6973	T8973		B6973	Alabaster	002	M2973	Antique	973
Antique Perforated	D8973P		T8973P			Alabaster	002			
Ash	D8913					Mercury	276			
Beige	D8186	T6186	T8186		B6186	Alabaster	002	M2186	Alabaster	002
Biscuit	D8315					Alabaster	002			
Bisque	D8269	T6269	T8269		B6269	Plaster	127	M2269	Antique	973
Black	D8048	T6048	T8048		B6048	Black	048	M2048	Black	048
Black Perforated	D8048P		T8048P			Black	048			
Bright Aluminum	D8190	T6190	T8190		B6190	Brushed Aluminum	065	M2190	Brushed Aluminum	065
Brushed Aluminum	D8065	T6065	T8065	V6065	B6065	Brushed Aluminum	065			
Brushed Aluminum Perforated	D8065P		T8065P			Brushed Aluminum	065			
Brushed Nickel Texture	D8262		T8262			Brushed Aluminum	065			
Burgundy	D8188					Alabaster	002			
Canvas	D8830	T6830	T8830		B6830	Alabaster	002	M2830	Alabaster	002
Chalk White	D8885	T6885	T8885		B6885	Pure White	125	M2885	Snow Gloss	110
Char Brown	D8064	T6064	T8064	V6064	B6064	Char Brown	064	M2064	Char Brown	064
Char Brown Matte	D8254					Char Brown	064			
Classic Red	D8916					Alabaster	002			
Clay	D8180	T6180	T8180		B6180	Graystone	748			
Cobalt Blue	D8280					Mercury	276			
Cobblestone	D8318	T6318	T8318		B6318	Graystone	748			
Country Beige	D8319					Plaster	127			
Eggshell	D8173				B6173	Alabaster	002	M2173	Alabaster	002
Evening Snow	D8385					Plaster	127			
Fawn	D8205	T6205	T8205		B6205	Alabaster	002	M2205	Alabaster	002
Forest	D8413	T6413	T8413		B6413	Alabaster	002			
Graphite	D8983					Black	048			
Graystone	D8748	T6748	T8748		B6748	Graystone	748	M2748	Brushed Aluminum	065
Kaolin Pearl	D8711	T6711	T8711		B6711	Plaster	127			
Light Caffe	D8914					Mercury	276			
Linen	D8270				B6270	Plaster	127	M2270	Antique	973
Mercury	D8276				B6276	Mercury	276			
Opal	D8001	T6001	T8001		B6001	Pure White	125			
Parchment	D8402					Alabaster	002			
Pearl	D8974	T6974	T8974		B6974	Plaster	127	M2974	Pearl	974
Pewter Gray	D8405					Mercury	276			
Plaster	D8127	T6127	T8127	V6127	B6127	Plaster	127			
Pumice	D8203					Alabaster	002			
Pure White	D8125	T6125	T8125	V6125	B6125	Pure White	125	M2125	Snow Gloss	110
Quartz	D8018	T6018	T8018		B6018	Snow Gloss	110	M2018	Snow Gloss	110
River Log	D8917					Char Brown	064			
Seashell	D8795	T6795	T8795		B6795	Pure White	125			
Sierra	D8820	T6820	T8820		B6820	Black	048			
Snow Gloss	D8110	T6110	T8110	V6110	B6110	Snow Gloss	110	M2110	Snow Gloss	110
Snow Gloss Perforated	D8110P		T8110P			Snow Gloss	110			
Soft Taupe	D8361					Char Brown	064			
Sprig	D8919					Alabaster	002			
Talc	D8981				B6981	Pure White	125			
Tusk	D8268	T6268	T8268		B6268	Plaster	127			
Vanilla	D8350	T6350	T8350		B6350	Alabaster	002	M2350	Alabaster	002

NOTE: Bottomrail colors are pre-selected. Hardware color override is not available.

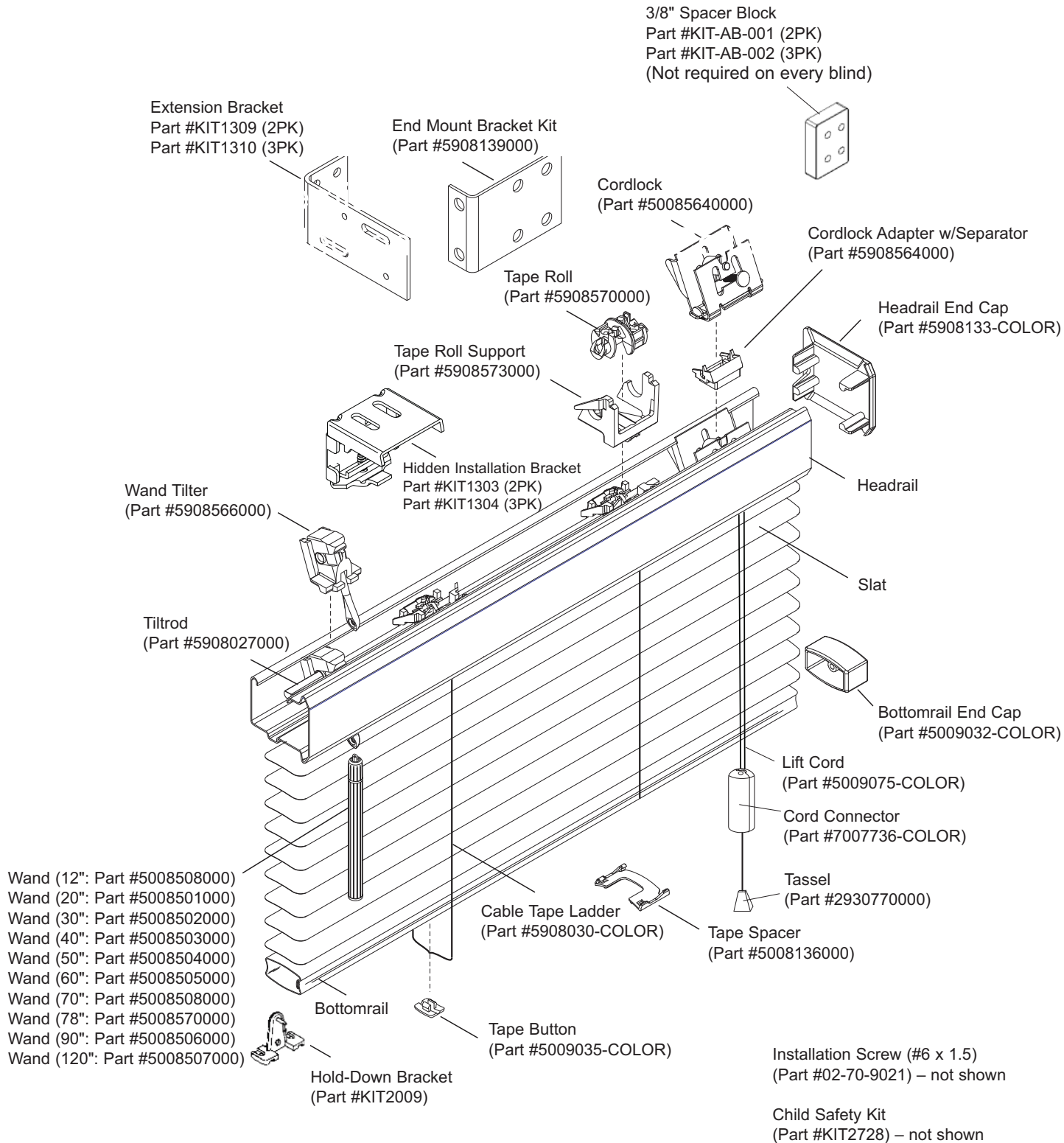
PRODUCT COMPONENTS – 1" VALUE/BASIC BLIND



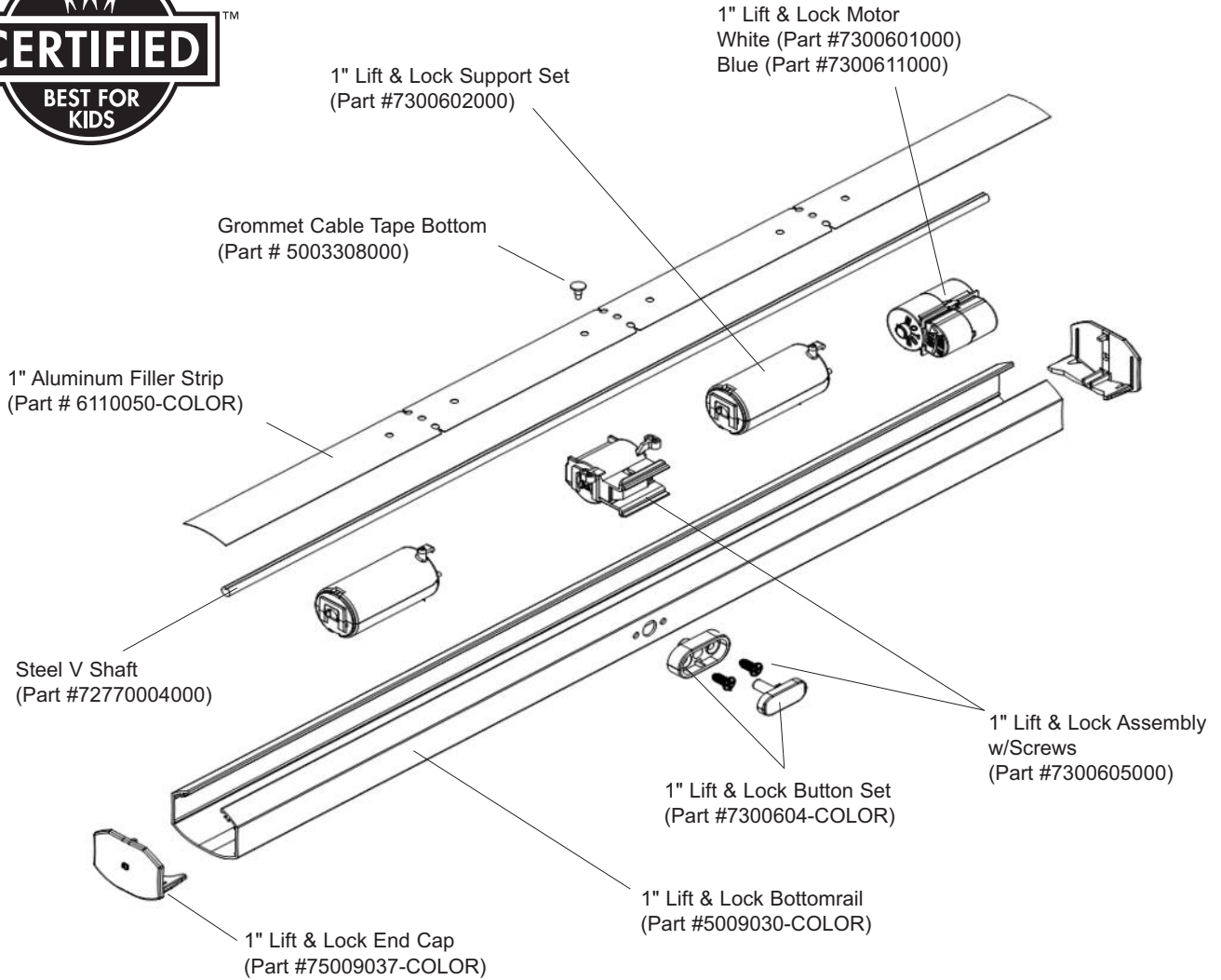
PRODUCT COMPONENTS – 1" TRADITIONAL BLIND



PRODUCT COMPONENTS – 1" DELUXE BLIND



PRODUCT COMPONENTS – ALL 1" CORDLESS LIFT & LOCK™



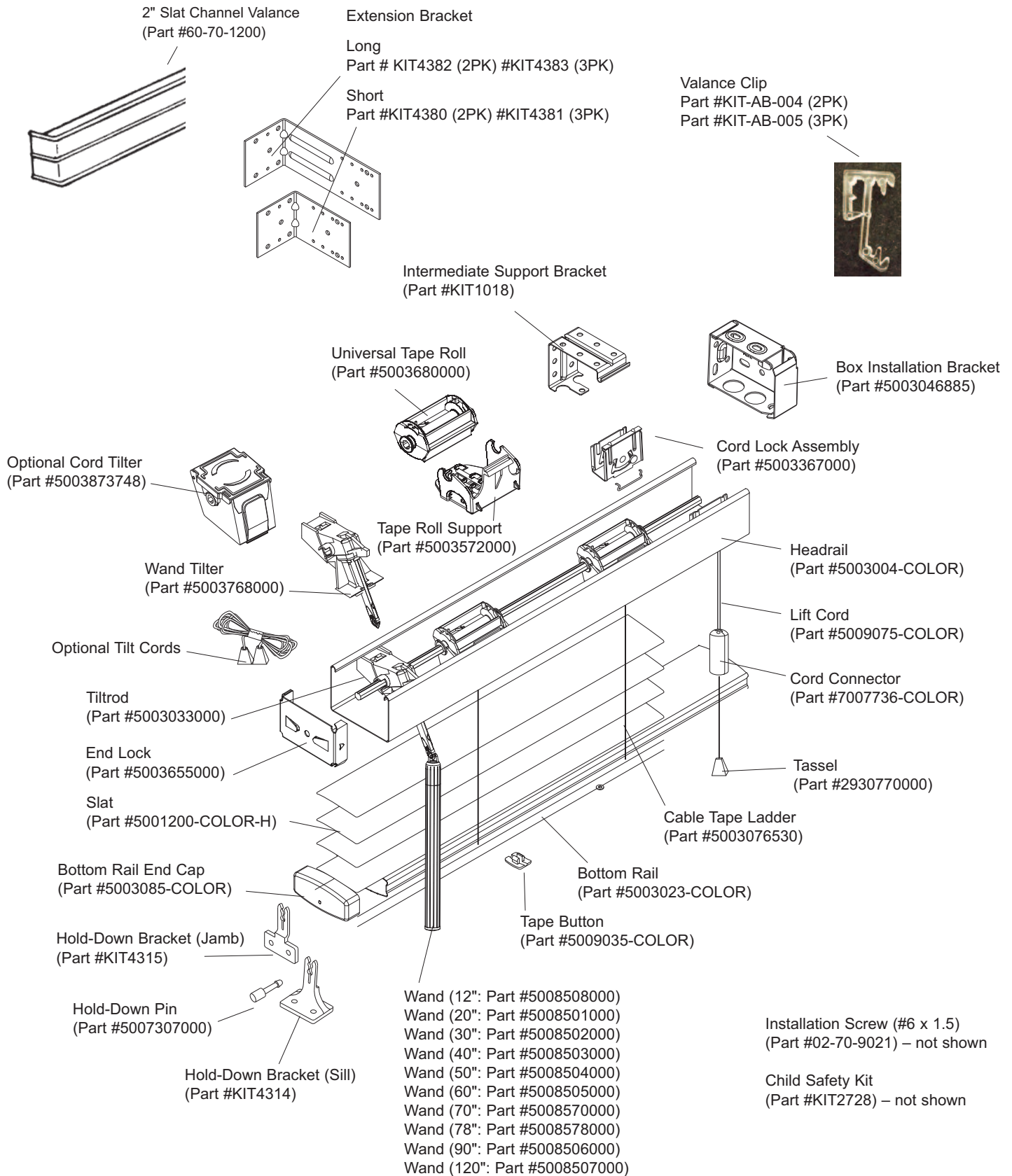
1" Deluxe Wand Extender
(Part #7008702000)



Pocket/Ferrule Clear (Part #3200156000C)
Included in headrail for skew adjustment

NOTE: Components shown are for the 1" Lift & Lock bottomrail. With the exception of the pocket & ferrule, all headrail components are the same as standard blinds.

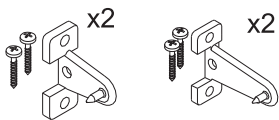
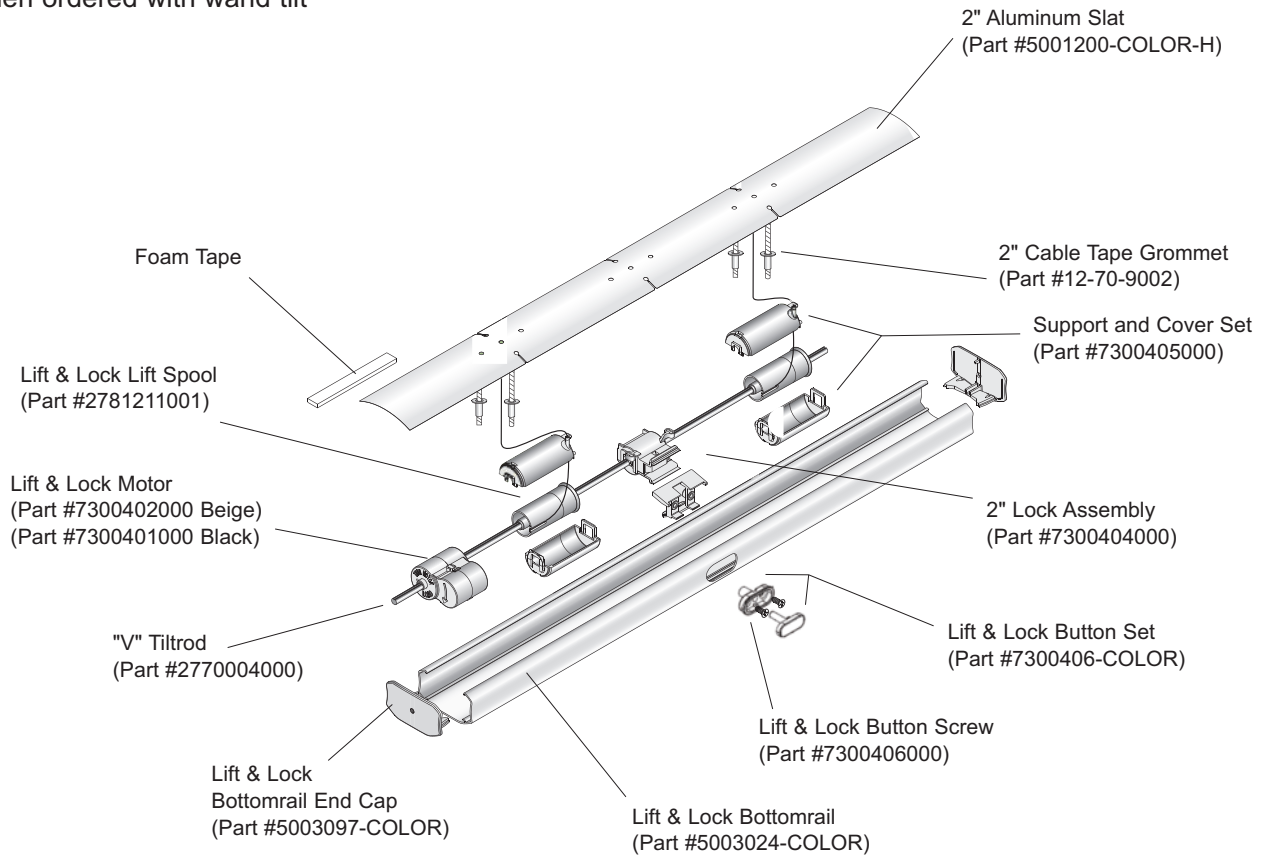
PRODUCT COMPONENTS – 2" MACRO BLIND



PRODUCT COMPONENTS – 2" MACRO WITH CORDLESS LIFT & LOCK™



*when ordered with wand tilt



Hold Down Brackets for 2" Macro
Cordless Lift & Lock
Sill - 3/8" (Part #KIT2009)
Jamb - 3/4" (Part #KIT2010)



Cord Skew Adjuster (Part #7300501000)
Included in headrail for skew adjustment

NOTE: Components shown are for the 2" Lift & Lock bottomrail. With the exception of the skew adjuster, all headrail components are the same as standard blinds.